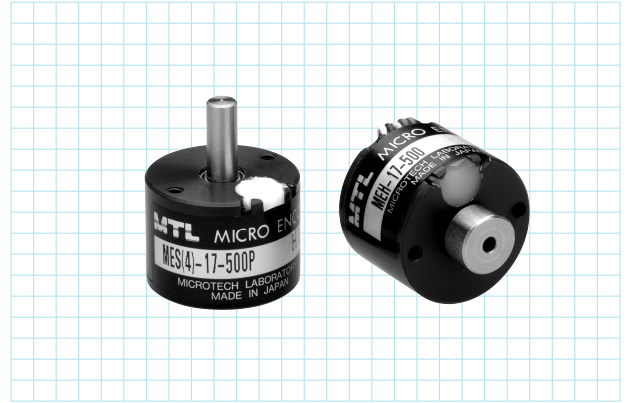


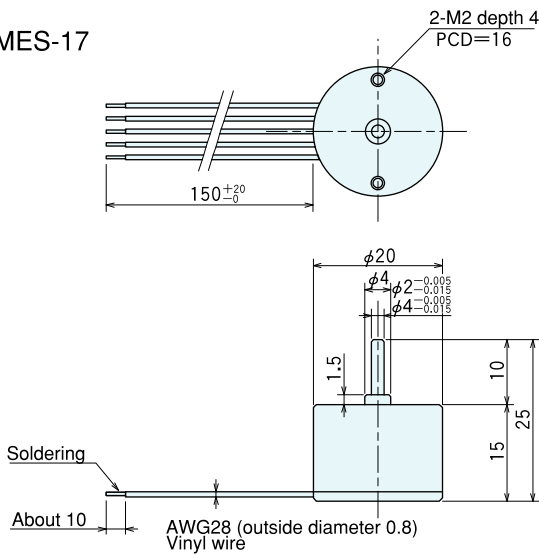
ME-17-P series

[Square Wave/Incremental]

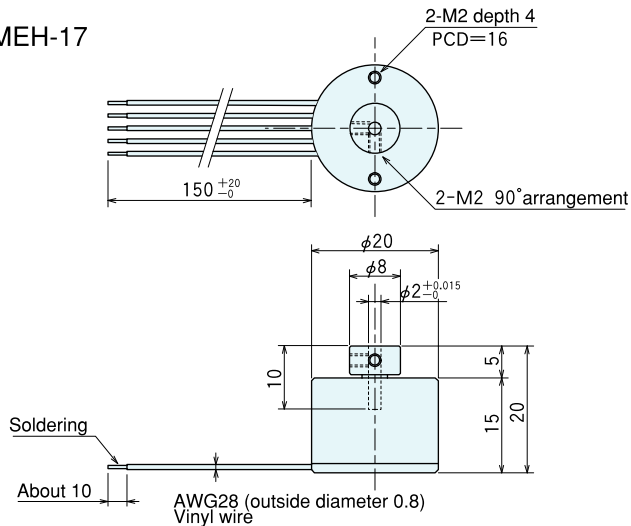


Outside dimensions

MES-17

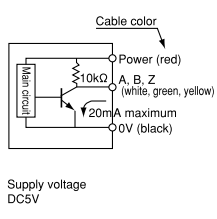


MEH-17



Output circuit diagram

Voltage output



Specifications

Type name		ME <input type="checkbox"/> -17- <input type="checkbox"/> P	
		Pulse number	
Item	Shaft shape ●S(2)=φ2 single shaft ●S(4)=φ4 single shaft ●H=hollow shaft		
Supply voltage	DC5V ±10%		
Current consumption	30mA or less (under no load)		
Detection system	Incremental		
Output pulse number (Standard) [Pulse number/rotation]	100	300	400
	200	360	500
Output phase	A, B, Z phase (Z="H")		
Output form	Square wave, voltage output only Pull-up resistance 10kΩ		
Output capacity	Sink current: 20mA Residual voltage: 0.4V or less (at 10mA)		
Maximum response frequency (response pulse number)	50kHz		
Output phase difference	A, B phase difference 90°±45° (T/4±T/8) Z phase T±T/2 (see Output Waveform)		
Waveform rise/fall time	2μs or less		
Starting torque	1×10 ⁻³ N·m (10gf·cm) or less		
Allowable load of shaft (electrical)	Radial	1.9N (200gf)	
	Thrust	1.9N (200gf)	
Maximum allowable revolutions (mechanical)	6000r/min		
Working ambient temperature/humidity	0°C~50°C RH35%~90% no dewing		
Storing ambient temperature	-20°C~80°C		
Vibration resistance	Durability 55Hz, double amplitude 1.5mm 2 hours each in X, Y, and Z directions		
Impact resistance	Durability 500m/s ² (about 50G) 3 times each in X, Y, and Z directions		
Cable	Vinyl wire AWG28 150mm		
Mass	20g		

Output waveform

