

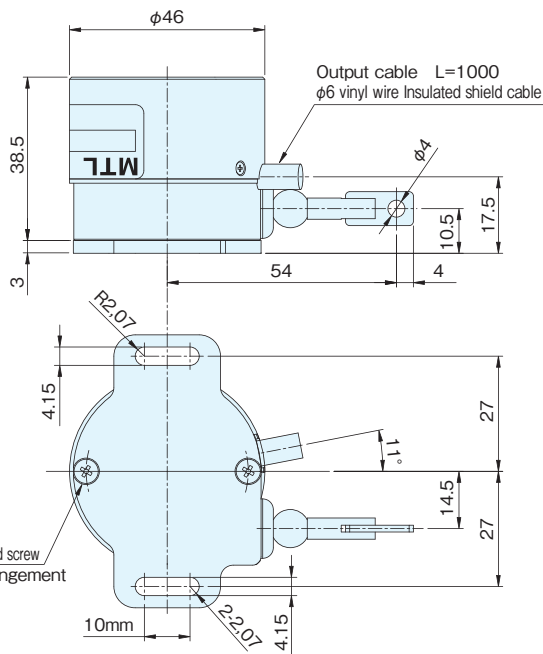
MLA-30 series

[Absolute]

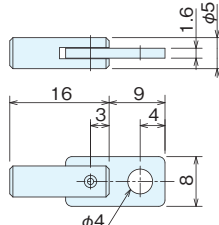
NEW



Outside dimensions



Detail of hook portion



Specifications

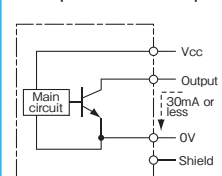
Type name	MLA-30- <input type="text"/> - <input type="text"/> -90
Item	Pulse number <input type="text"/> Output code <input type="text"/> Supply voltage (1,5) <input type="text"/> ●G=Gray code ●N=Pure binary code ●B=BCD code
Supply voltage	1:DC5V±5% 5:DC12V-10%~24V+15%
Current consumption	100mA or less (under no load)
Output code	G:gray code N:pure binary code B:BCD code
Logic	Negative logic (H=0, L=1)
Output circuit	NPN open collector
Output capacity	Sink current 30mAmax, Residual voltage 0.5V (at 30mA)
Maximum response frequency	10kHz
measuring range	90mm
Output pulse number/mm	1,024 / 90 (G, N), 1,000 / 90 (B)
Minimum resolution	G (N): 0.088mm B: 0.09mm
Stroke speed	1000mm/sec max
Wire tensile force	150~300g
Working ambient temperature/humidity	0°C~+50°C / RH35%~90% (no dewing)
Storage ambient temperature	-20~+80°C
Vibration resistance	Durability 55Hz, double amplitude 1.5mm 2 hours each in X, Y, and Z directions
Impact resistance	50G 3 times each in X, Y, and Z directions
Cable	Outside dia. φ6 16-core vinyl wire Insulated shield cable (length:1m)
Mass	350g or less (excluding cable)

Connection

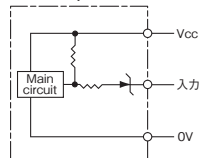
Code color	Output signal			Code color	Output signal		
	G	N	B		G	N	B
Brown	2 ⁰			Blue	2 ⁸		
Brown / Black	2 ¹			Blue / Black	2 ⁹		
Orange	2 ²			Purple	NC		
Orange / Black	2 ³			Purple / Black	NC		
Yellow	2 ⁴			Red / Black	— #Rotating direction indication input		
Yellow / Black	2 ⁵			Red	Vcc		
Green	2 ⁶			Black	COMMON		
Green / Black	2 ⁷			Black	COMMON		

I/O circuit diagram

NPN open collector output



Rotating direction indication input circuit



Note) When input is open, CW increases count.
When input is 0V short, CCW increases count.