

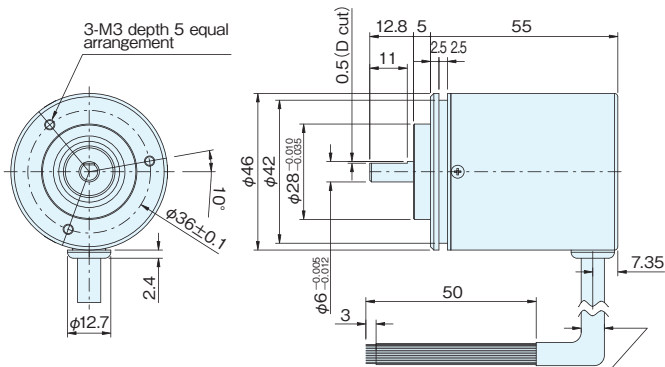
# MXS-36-series

[High-resolution Multiple-rotation  
(64 rotations max) Absolute Type Encoder]

NEW



## Outside dimensions



19-core Cable L=500, outside dia. φ6.8  
from the end of copper wire to sheath end

## Specifications

Item	Type name	MXS-36-□□□□□△C6-◇◇
	Number of turns	One rotation resolution
	Output signal code	●G ●N Option:No mark,V Option:No mark,N
Supply voltage		DC5V-5%~24V+15%
Current consumption		150mA or less (under no load)
Output code		G:gray code N:pure binary code
Output circuit		NPN open collector
Output logic		No mark: positive logic; N: negative logic
Output pulse number (Standard)		128    1,024
[Pulse number/rotation]		256 512
Rotation number		2·4·8·16·32·64
Maximum response frequency		40kbit/s (10kbit/s at guaranteed accuracy)
Starting torque		10×10 <sup>-3</sup> N·m (100gf·cm) or less
Shaft allowable load (electrical)	Radial	19.6N (2kgf)
	Thrust	9.8N (1kgf)
Working temperature/humidity		-10°C~70°C/RH95% or less (no dewing)
Storage temperature		-20°C~80°C
Vibration resistance		Durability 0-500Hz, double amplitude 1.52mm 2 hours each in X, Y, and Z directions
Impact resistance		Durability 11 msec (about 50G) 3 times each in X, Y, and Z directions
Mass		170g or less (excluding cable)

## Connection

Cable color	Output signal	Cable color	Output signal
Brown	2 <sup>0</sup>	Purple	2 <sup>10</sup>
Brown/Black	2 <sup>1</sup>	Purple/Black	2 <sup>11</sup>
Orange	2 <sup>2</sup>	Gray	2 <sup>12</sup>
Orange/Black	2 <sup>3</sup>	Gray/Black	2 <sup>13</sup>
Yellow	2 <sup>4</sup>	White	2 <sup>14</sup>
Yellow/Black	2 <sup>5</sup>	White/Black	2 <sup>15</sup>
Green	2 <sup>6</sup>	Red	Vcc
Green/Black	2 <sup>7</sup>	Black	COMMON
Blue	2 <sup>8</sup>	Shield(*)	Cable shield
Blue/Black	2 <sup>9</sup>	-	-

(\*)shielding cable is non-connected in encoder.