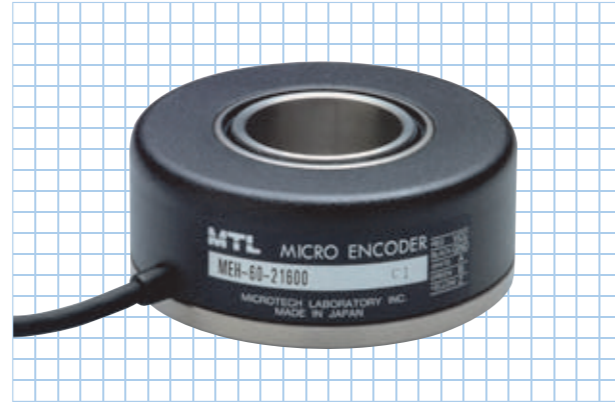


MEH-60-P series

[Square Wave/Incremental]

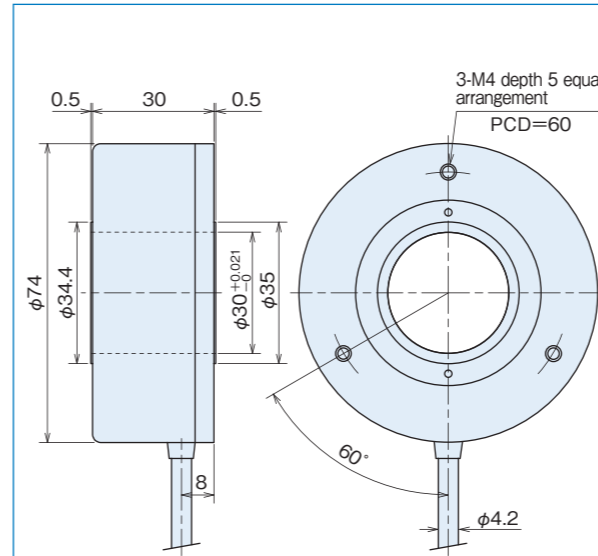


Specifications

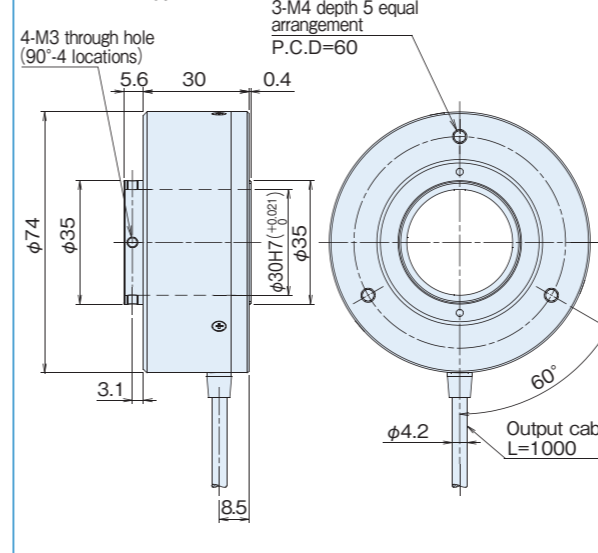
Item	Type name		MEH-60-□P□	
	Pulse number	Output circuit	<ul style="list-style-type: none"> ●No entry=voltage output ●C=open collector output ●C4=open collector output DC24V ●E=line driver output ●ST□(2·4·5·8·10·16·20) 	
	Square wave		Built-in multiplication circuit (x2·x4·x5·x8·x10·x16·x20)	
Supply voltage	Voltage/Open collector DC5V-5%~12V+10% Open collector DC24V:DC24V±10% Line driver:DC5V±5%		Voltage:DC5V-5%~12V+10% Open collector:DC5V-5%~24V+10% Line driver:DC5V±5%	
Current consumption	60mA or less *120mA or less (under no load)		100mA or less (under no load)	
Detection system	Incremental		Incremental	
Output pulse number (Standard) [Pulse number/rotation]	100	600	1,024	8,100(*1)
	180	1,000	1,800	9,000(*1)
	200		2,000	10,000(*1)
	360		3,600	10,800(*1)
	400		4,000	20,250(*1, 2)
	500		5,000	21,600(*1, 2)
			5,400(*1)	
Output phase	A, B, Z phase		A, B, Z phase	
Output form	Square wave		Square wave	
Output capacity	Sink current:20mA Residual voltage:0.5V or less (at 10mA)		-	
Maximum response frequency (response pulse number)	100kHz		Line driver output:50kHz×(by multiplication) Open collector output:100kHz	
Output phase difference	A, B phase difference 90°±45°(T/4±T/8) Z phase T±T/2 (see Output Waveform)		Refer to the figure on the right	
Waveform rise/fall time	2μs or less (output cable 1m or less)		-	
Allowable load of shaft (electrical)	Radial	19.6N(2kgf)	9.8N(1kgf)	9.8N(1kgf)
	Thrust	9.8N(1kgf)	4.9N(0.5kgf)	4.9N(0.5kgf)
Maximum allowable revolutions (mechanical)	1,000r/min		1,000r/min	
Working ambient temperature/humidity	0°C~60°C RH35%~90% no dewing		0°C~60°C RH35%~90% no dewing	
Storing ambient temperature	-20°C~80°C		-20°C~80°C	
Vibration resistance	Durability 55Hz, double amplitude 1.5mm 2 hours each in X, Y, and Z directions		Durability 55Hz, double amplitude 1.5mm 2 hours each in X, Y, and Z directions	
Impact resistance	Durability 500m/s ² (about 50G) 3 times each in X, Y, and Z directions		Durability 500m/s ² (about 50G) 3 times each in X, Y, and Z directions	
Cable	Outside diameter φ4.2 5-core vinyl wire AWG28 Insulated shield cable (length 1m)		Outside diameter φ4.2 5-core vinyl wire AWG28 Insulated shield cable (length 1m)	
Mass	320g 430g(*2)		430g	

*1: Handled by built-in multiplier circuit
*2: The mass changes

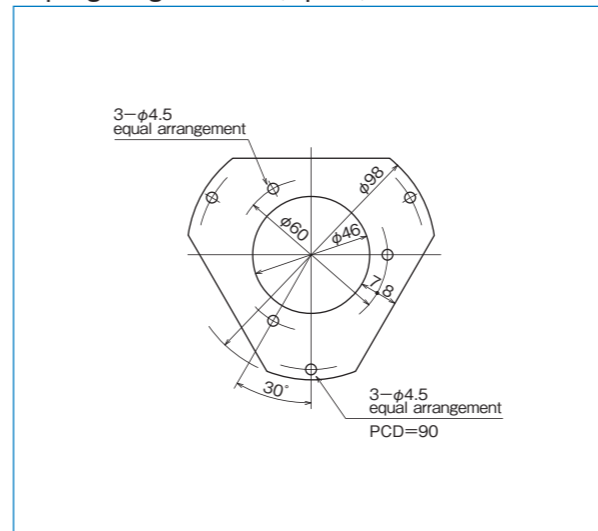
Outside dimensions



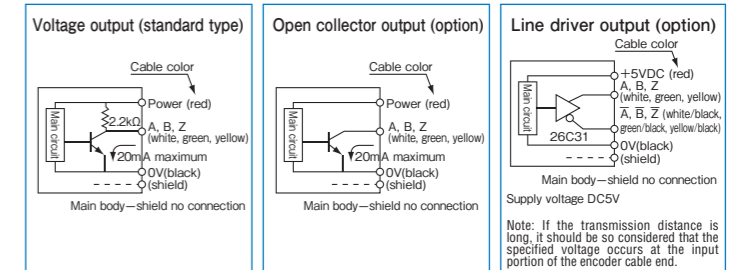
Follow shaft type



Spring flange MEH-60 (Option)

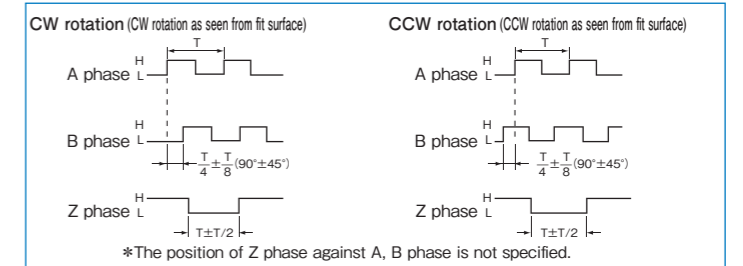


Output circuit diagram



A capacitor (0.1μF) is connected between 0V and FG (frame ground).

Output waveform (Square wave)



Output waveform / Built-in multiplication circuit (x2·x4·x5·x8·x10·x16·x20)

