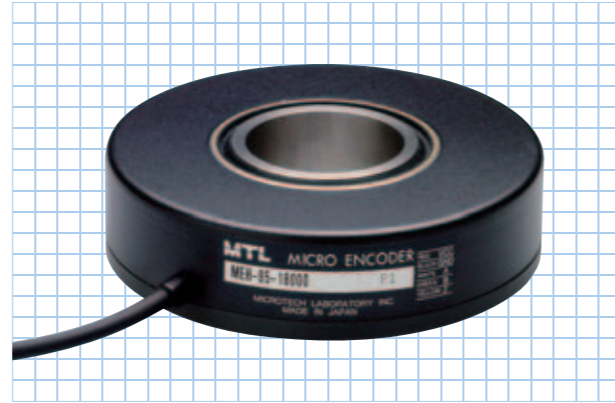


MEH-85-P series

[Square Wave/Incremental]

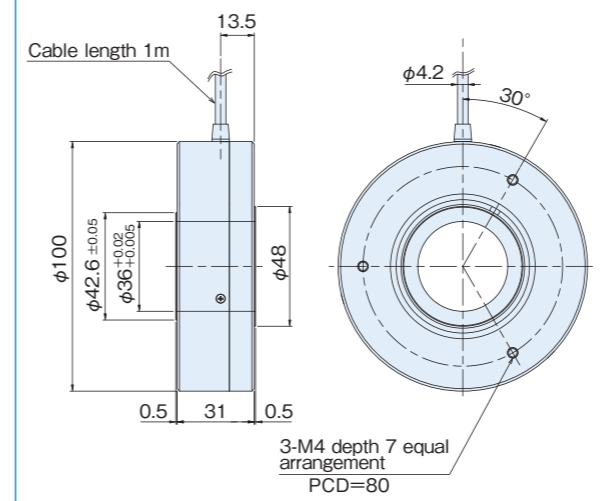
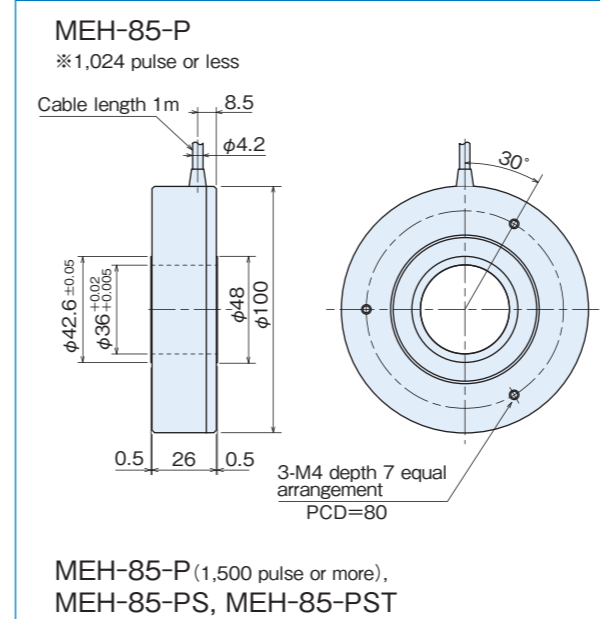


Specifications

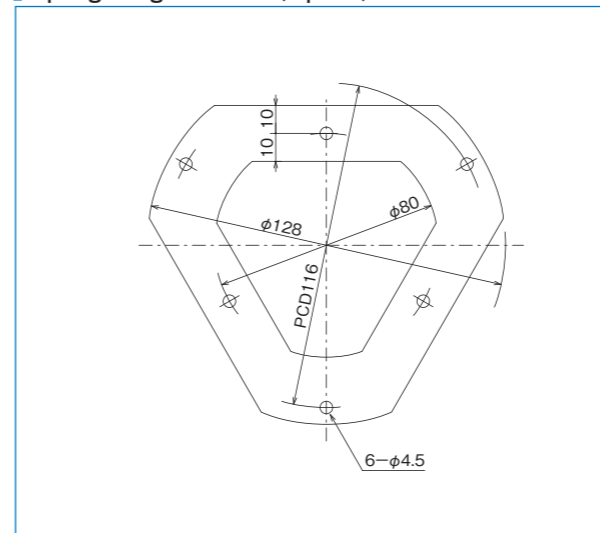
Item	Type name	MEH-85- <input type="checkbox"/> P <input type="checkbox"/>	
		Pulse number: <input type="checkbox"/> Output circuit: ●No entry=voltage output ●C=open collector output ●C4=open collector output DC24V ●E=line driver output ●ST <input type="checkbox"/> (2·4·5·8·10·16·20)	
		Square wave Built-in multiplication circuit (x2·x4·x5·x8·x10·x16·x20)	
Supply voltage	Voltage / Open collector: DC5V-5%~12V+10% Open collector DC24V: DC24V±10% Line driver: DC5V±5%	Voltage: DC5V-5%~12V+10% Open collector: DC5V-5%~24V+10% Line driver: DC5V±5%	
Current consumption	Voltage / Open collector output: 60mA or less (under no load) Line driver: 140mA or less (under no load)	140mA or less (under no load)	
Detection system	Incremental	Incremental	
Output pulse number (Standard) [Pulse number/rotation]	150	1,500	20,250 (*)
	200	3,600	21,600 (*)
Output phase	500	4,500	
	1,000	5,400	
	1,024	5,625	
		7,200 (*)	
		8,192 (*)	
		10,800 (*)	
		11,250 (*)	
		18,000 (*)	
Output phase	A, B, Z phase		
Output form	Square wave		
Output capacity	Sink current: 20mA Residual voltage: 0.5V or less (at 10mA)		
Maximum response frequency (response pulse number)	100kHz		
Output phase difference	A, B phase difference 90°±45° (T/4±T/8) Z phase T±T/2 (see Output Waveform)		
Waveform rise/fall time	2μs or less (output cable 1m or less)		
Allowable load of shaft (electrical)	Radial	9.8N (1kgf)	9.8N (1kgf)
	Thrust	4.9N (0.5kgf)	4.9N (0.5kgf)
Maximum allowable revolutions (mechanical)	1,000r/min		
Working ambient temperature/humidity	0°C~60°C RH35%~90% no dewing		
Storing ambient temperature	-20°C~80°C		
Vibration resistance	Durability 55Hz, double amplitude 1.5mm 2 hours each in X, Y, and Z directions		
Impact resistance	Durability 500m/s ² (about 50G) 3 times each in X, Y, and Z directions		
Cable	Outside diameter φ4.2 5-core vinyl wire AWG28 Insulated shield cable (length 1m)		
Mass	520g	620g	1,050g

*Handled by built-in multiplier circuit

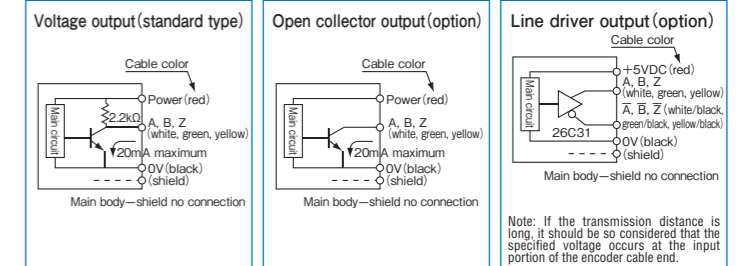
Outside dimensions



Spring flange MEH-85 (Option)

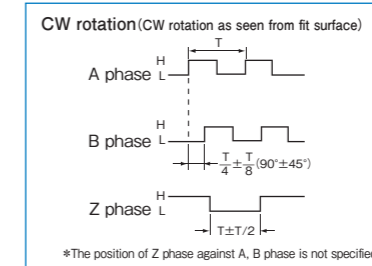


Output circuit diagram



A capacitor (0.1μF) is connected between 0V and FG (frame ground).

Output waveform (Square wave)



Output waveform / Built-in multiplication circuit (x2·x4·x5·x8·x10·x16·x20)

