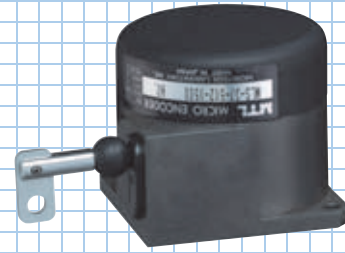


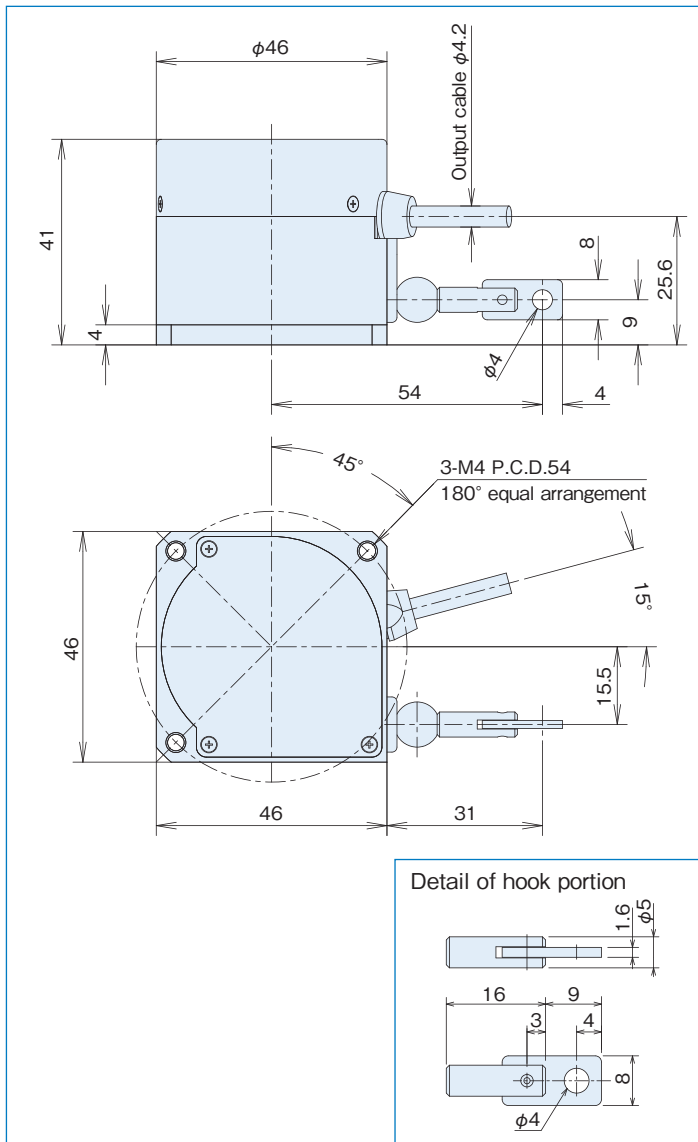
MLS-37 series

[Wire-Type Linear Scale]

- Outside dimensions ■ 46×41 mm
- Length measurement resolution: 0.1 mm,
Length measurement distance: 1,500mm

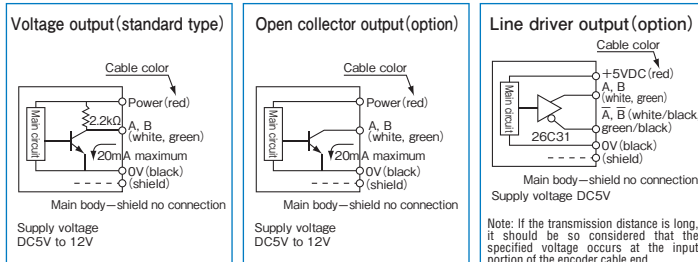


Outside dimensions



Note: Usage warning: The wire may stop midway through retracting. When this happens, slowly pull out the full length and then slowly retract again before using.

Output circuit diagram



Specifications

Item	Type name	MLS-37-1024※◎-1500
Measuring range		1500mm
Supply voltage		1:DC5V±5% (note 1) 3:DC5V-5%~12V+10% 5:DC12V-10%~24V+15% (note 1)
Current consumption		70mA or less (under no load)
Length measurement resolution		0.1mm (note 2)
Stroke speed		500mm/sec
Wire tensile force		0.98N~3.92N (100gf~400gf)
Absolute accuracy		±0.1%FS (note 3)
Output circuit (※)		Voltage output (Blank), open collector output (C), Line drive output (E) (note 1)
Output phase		A phase, B phase
Output form		Square wave
Output capacity		Sink current 20mA or less, residual voltage 0.5V or less
Maximum response frequency (Number of response pulses)		100kHz
Output phase		A, B phase difference 90°±45°
Working ambient temperature/humidity		0°C~50°C / RH35%~90%
Storage ambient temperature		-20°C~80°C
Vibration resistance		Durability 55Hz, double amplitude 1.5mm 2 hours each in X, Y, and Z directions
Impact resistance		Durability 500m/s ² (about 50G) 3 times each in X, Y, and Z directions
Cable		Outside diameter 4.2 4-core (8-core) vinyl wire Insulated shield cable AWG 28 (length 1000mm)
Mass		250g or less (excluding cable)

※Refer to the DC Series for the counter specification.

(Note 1) The line driver specification is DC5V power supply voltage only. DC12-24V is only available for open collector output.

(Note 2) There are 4 types of length measurement resolution: 0.2mm, 0.1mm, 0.02mm, 0.01mm.

(Note 3) Customers needing products with absolute accuracy of ±0.05FS should contact our Sales Department separately.

(Note 4) 3-M4 PCD54 can also be used as a 3.5 hole for M3 mounting.

Output waveform

