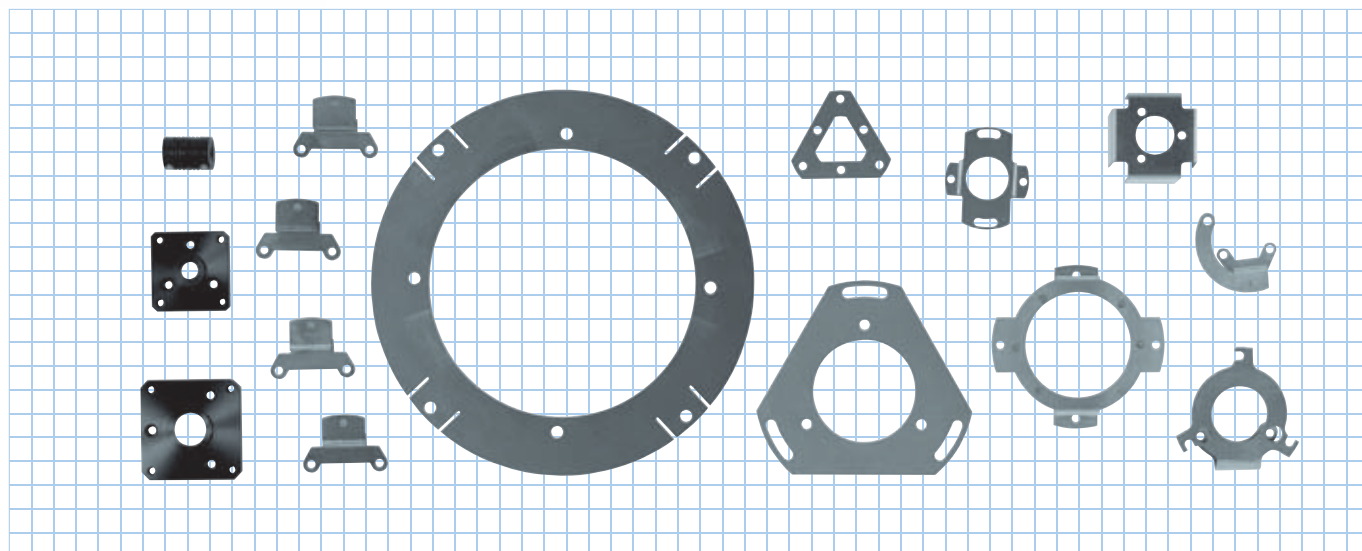
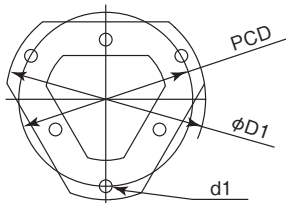
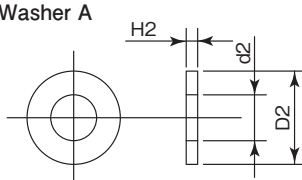
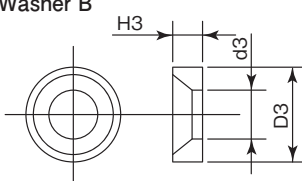
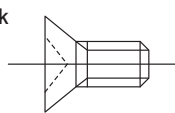
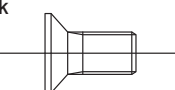


Setting Option/Coupling

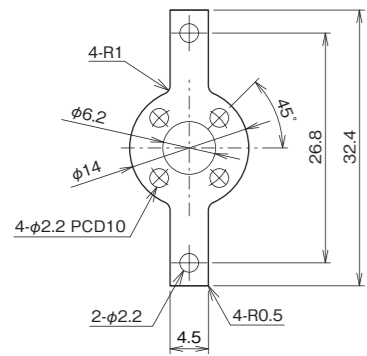


▼ Spring flange (Use with a hollow shaft type encoder)

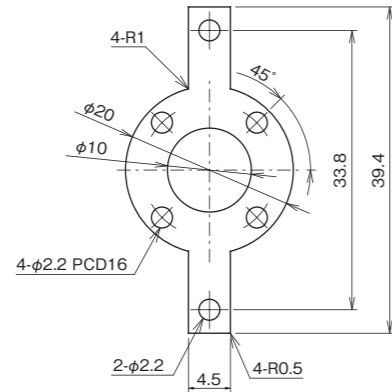
List of dimensions and accessories

Type name (encoder series)	MEH-	20	30	50	60	85	130	180	MAH-36	MAH-42
Spring flange	PCD	40	52	79	90	116	165	210	52	64
	D1	48	60	90	98	128	175	220	60	76
	d1	3.5	3.5	4.5	4.5	4.5	5.2 (4 equal arrangement)	5.2 (3 equal arrangement)	3.5	4.5
	H1 (plate thickness)	0.1	0.1	0.1	0.2	0.2	0.5	0.5	0.1	0.1
Washer A	D2	7	7	14	14	14	—	—	7	14
	d2	3.5	3.5	5	5	5	—	—	3.5	5
	H2	1	1	1	1	1	—	—	1	1
Washer B	D3	7	7	14	14	14	—	—	7	14
	d3	3.5	3.5	4.5	4.5	4.5	—	—	3.5	4.5
	H3	2.3	2.3	2.5	2.5	2.5	—	—	2.3	2.5
Countersunk head screw		M3×6	M3×6	M4×8	M4×8	M4×8	—	—	—	M4×8
		—	—	—	—	—	—	—	M3×6	—
Countersunk head screw		—	—	—	—	—	—	—	M3×6	—
		—	—	—	—	—	—	—	M3×6	—

*ME-9P, *MA-10

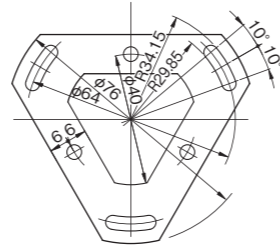


*ME-12P, *MA-17, MEH-17, MEH-14

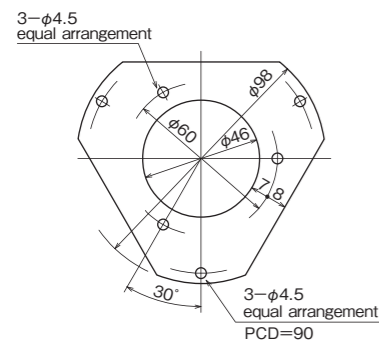


* indicates standard attachment. Others are options.

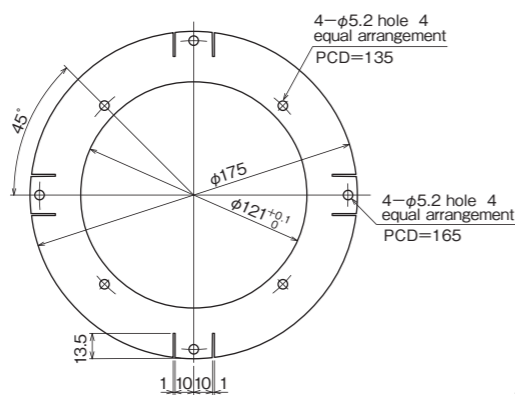
MAH-42



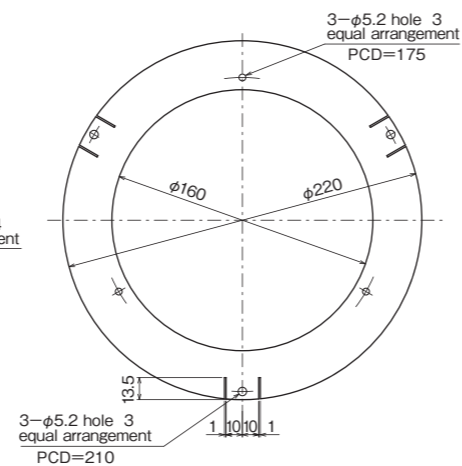
MEH-60



MEH-130

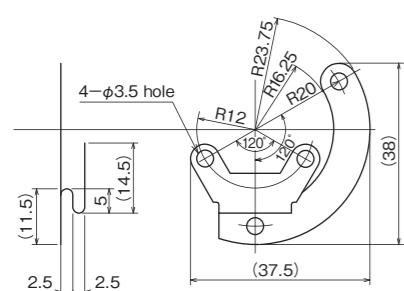


MEH-180

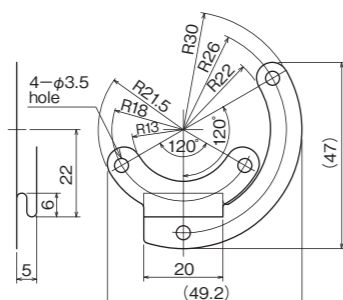


Special spring flange (this type is recommended when fluctuation in radial direction is large)

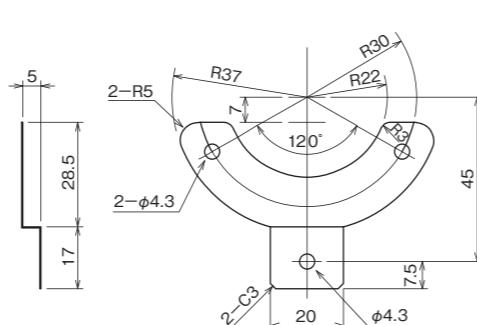
MEH-20SP (plate thickness 0.1t)



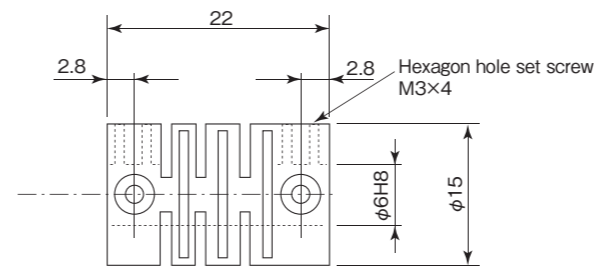
MEH-30SP (plate thickness 0.15t)



MEH-60SP2 (plate thickness 0.3t)



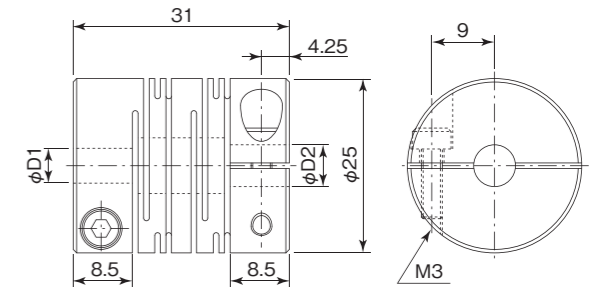
Coupling GJ6x6 (for MES-20, 30)



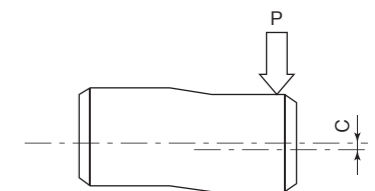
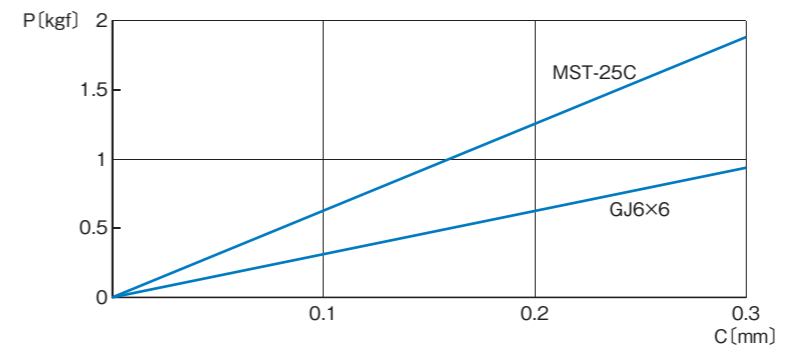
(1) Material: Polyacetal resin containing glass
(2) Others than φ6-φ6 are available.

Coupling MST-25C-6x6 (for MES-30 high resolution), 8x8 (for MES-50 high resolution)

Clamping type



Eccentric spring characteristics

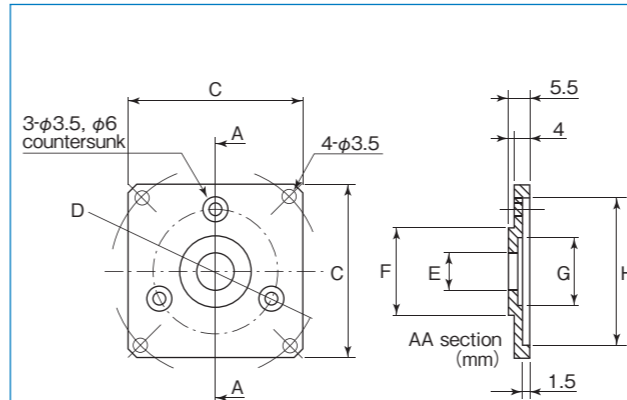


It should be used under optimum conditions to maintain the accuracy of the encoder and also for prolonged use.

Fitting Method for Shaft Type Encoder (MES/MAS)

(Use this method when the base of the main unit of MES-20 or MES-30 with a single-shaft cannot be installed from the shaft side.)

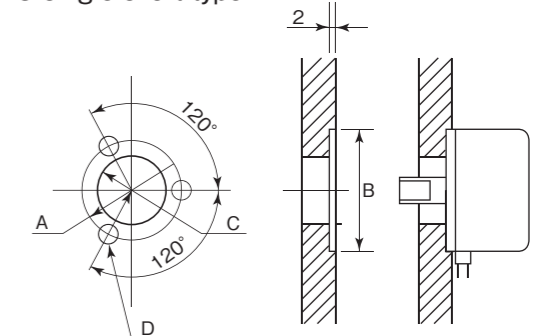
Flange MEF-20 (for MES-20), MEF-30 (for MES-30)



Type name	C	D	E	F	G	H
MEF-20	36	40	φ8	φ15- _{0.018}	φ13	φ32 ^{+0.025} / _{+0.069}
MEF-30	46	52	φ15	φ20- _{0.021}	φ25	φ44 ^{+0.025} / _{+0.069}

Fitting dimensions

MES single-shaft type



Type name	A	B	C	D
MES-20	φ24	φ32 ^{+0.2} / _{+0.15}	φ16	3-φ3.5
MES-30	φ36	φ44 ^{+0.2} / _{+0.15}	φ28	3-φ3.5
MES-40	φ45	φ56 ^{+0.3} / _{+0.25}	φ30	3-φ3.5
MES-50	φ56	φ65 ^{+0.3} / _{+0.25}	φ32	3-φ4.5