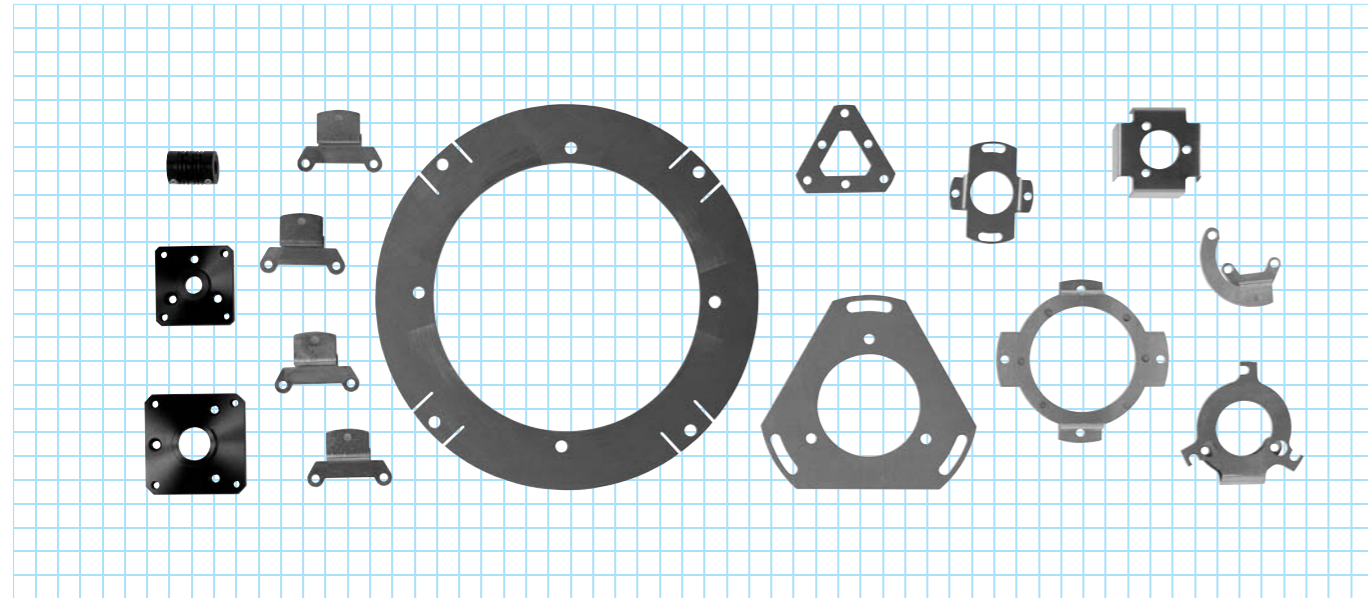
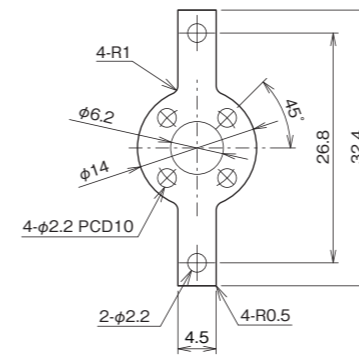


# Setting Option/Coupling

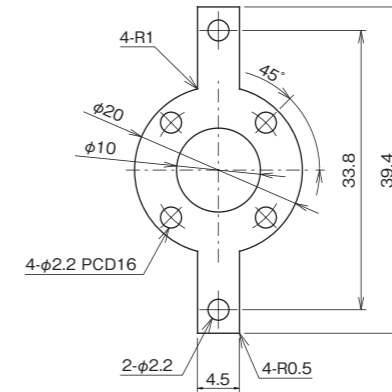


\* indicates standard attachment. Others are options.

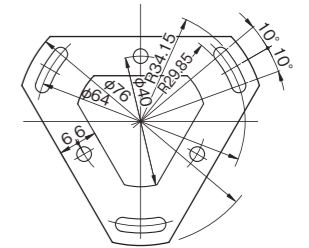
\* ME-9P, \* MA-10



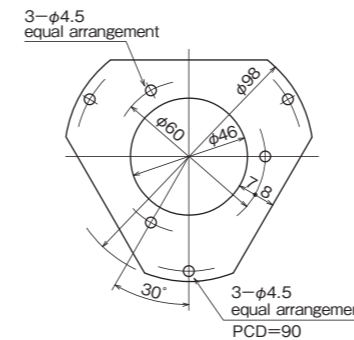
\* ME-12P, \* MA-17, MEH-17, MEH-14



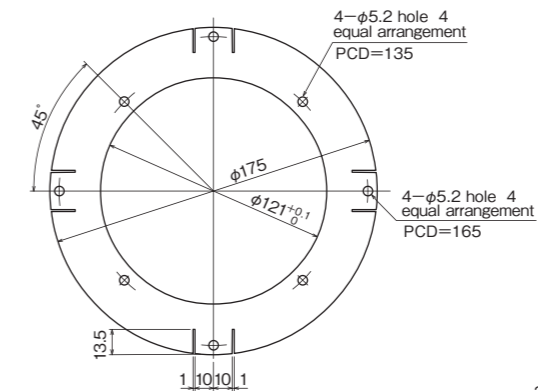
MAH-42



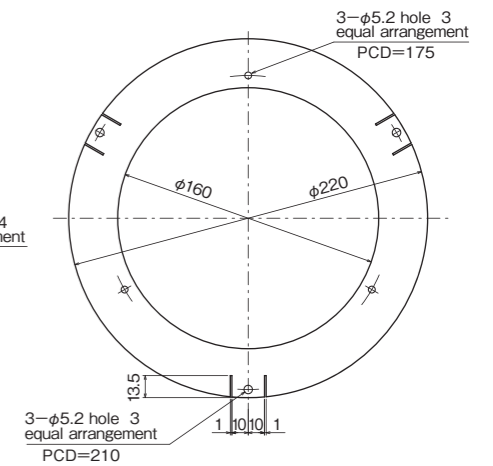
MEH-60



MEH-130

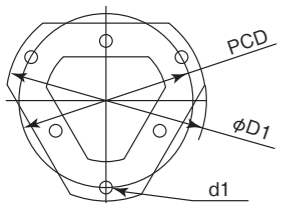
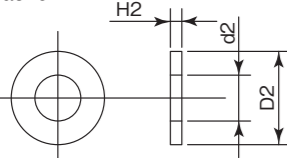
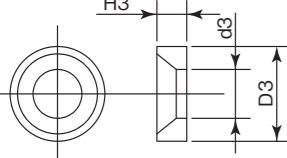
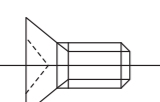


MEH-180



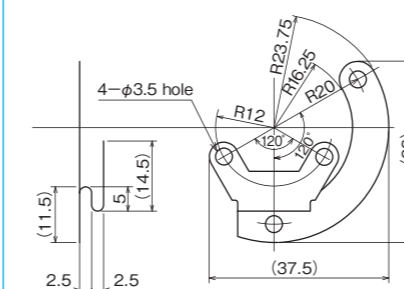
## Hole Type (Use with a hollow shaft type encoder)

### List of dimensions and accessories

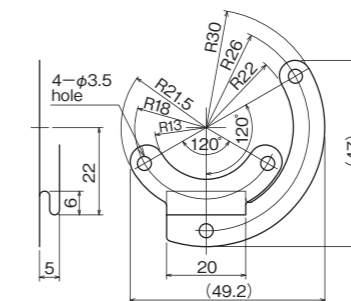
Type name (encoder series)	MEH-	20	30	50	60	85	130	180	MAH-42
Spring flange 	PCD	40	52	79	90	116	165	210	64
	D1	48	60	90	98	128	175	220	76
	d1	3.5	3.5	4.5	4.5	4.5	5.2 (4 equal arrangement)	5.2 (3 equal arrangement)	4.5
	H1 (plate thickness)	0.1	0.1	0.1	0.2	0.2	0.5	0.5	0.1
Washer A 	D2	7	7	14	14	14	—	—	14
	d2	3.5	3.5	5	5	5	—	—	5
	H2	1	1	1	1	1	—	—	1
Washer B 	D3	7	7	14	14	14	—	—	14
	d3	3.5	3.5	4.5	4.5	4.5	—	—	4.5
	H3	2.3	2.3	2.5	2.5	2.5	—	—	2.5
Countersunk head screw 		M3×6	M3×6	M4×8	M4×8	M4×8	—	—	M4×8

### Special spring flange (this type is recommended when fluctuation in radial direction is large)

MEH-20SP (plate thickness 0.1t)



MEH-30SP (plate thickness 0.15t)



MEH-60SP2 (plate thickness 0.3t)

