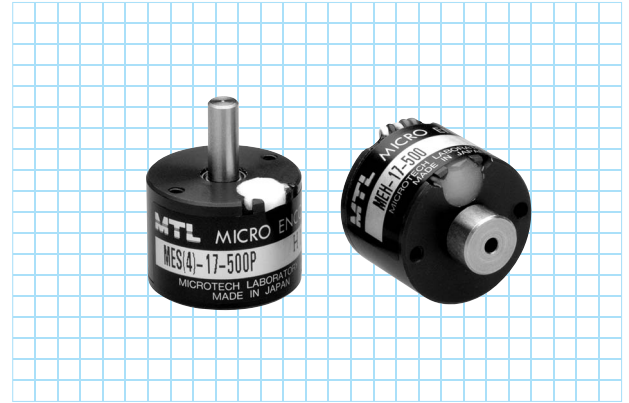
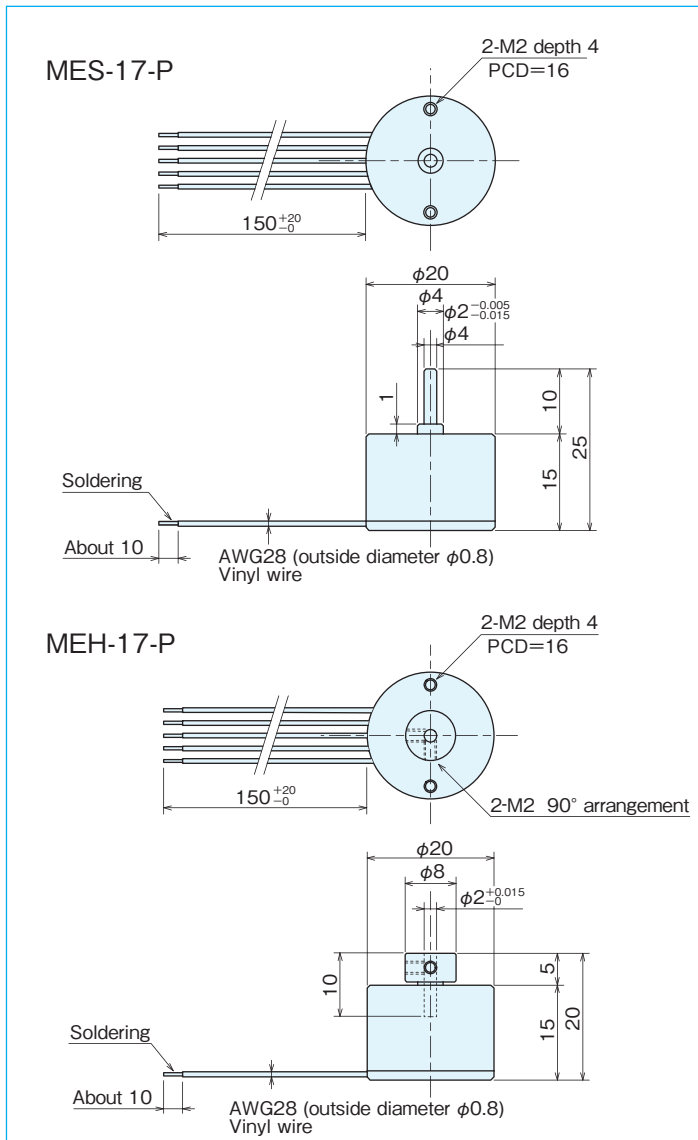


# ME-17-P series

[Square Wave/Incremental]



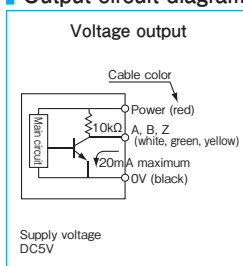
## Outside dimensions



## Specifications

Type name		ME□-17-□P	
		Shaft shape	Pulse number
Item		●S(2)=φ2 single shaft ●S(4)=φ4 single shaft ●H=hollow shaft	
Supply voltage		DC5V ±10%	
Current consumption		30mA or less (under no load)	
Detection system		Incremental	
Output pulse number (Standard) [Pulse number/rotation]		100	300
		200	360
		256	400
Output phase		A, B, Z phase (Z="H")	
Output form		Square wave, voltage output only Pull-up resistance 10kΩ	
Output capacity		Sink current:20mA Residual voltage:0.4V or less (at 10mA)	
Maximum response frequency (response pulse number)		50kHz	
Output phase difference		A, B phase difference 90°±45° (T/4±T/8) Z phase T±T/2 (see Output Waveform)	
Waveform rise/fall time		2μs or less	
Allowable load of shaft (electrical)	Radial	1.9N (200gf)	
	Thrust	1.9N (200gf)	
Maximum allowable revolutions (mechanical)		6,000r/min	
Working ambient temperature/humidity		0°C~50°C RH35%~90% no dewing	
Storing ambient temperature		-20°C~80°C	
Vibration resistance		Durability 55Hz, double amplitude 1.5mm 2 hours each in X, Y, and Z directions	
Impact resistance		Durability 500m/s <sup>2</sup> (about 50G) 3 times each in X, Y, and Z directions	
Cable		Vinyl wire AWG28 150mm	
Mass		20g	

## Output circuit diagram



## Output waveform

