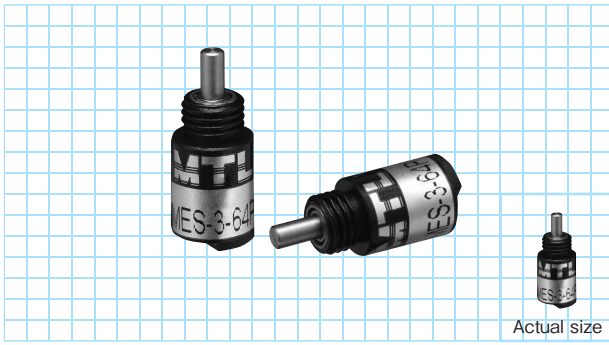


MES-3P series

[Square Wave/Incremental]

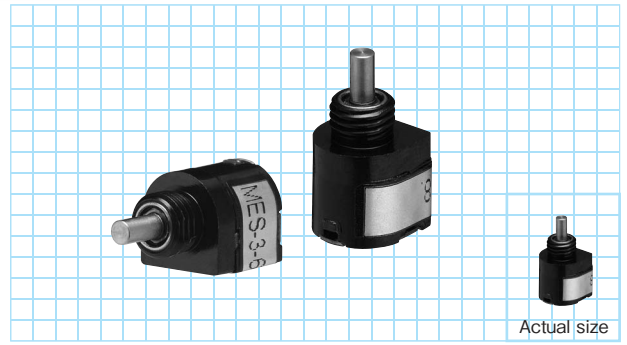


Specifications

Item	Type name	MES-3-64P
Supply voltage		DC3.2±0.1V
Current consumption		15mA or less
Detection system		Incremental
Output	Output pulse number (Standard) [Pulse number/rotation]	64P/R, 100P/R
	Output phase	A, B, Z phase
	Output form	Square wave, Voltage (C-MOS) output
	Output capacity	CMOS output: Output current IOH=+8mA, IOH=-2mA Output voltage: VOL≤0.3V (when IOL=+1mA) VOH≥Vcc-0.3V (when IOH=-1mA) Output withstand voltage: 3.3V or less (power supply voltage or less)
	Maximum response frequency (response pulse number)	100kHz
	Output phase difference	A, B phase difference : T/4±T/8 Z phase T±0.5T
	Waveform rise/fall time	2μs or less (When 150mm flexible cable extended using 300mm AWG30 cable)
	Allowable load of shaft (electrical)	Radial
Thrust		0.98N (100gf)
Maximum allowable revolutions (mechanical)		6,000rpm
Working ambient temperature/humidity		0°C~60°C RH35%~90% no dewing
Storing ambient temperature		-20°C~80°C
Vibration resistance		Durability 55Hz, double amplitude 1.5mm 2 hours each in X, Y, and Z directions
Impact resistance		Durability 500m/s ² (about 50G) 3 times each in X, Y, and Z directions
Cable		Flexible cable: Length approx. 150mm
Mass		5g (including flexible cable)

MES-3PST series

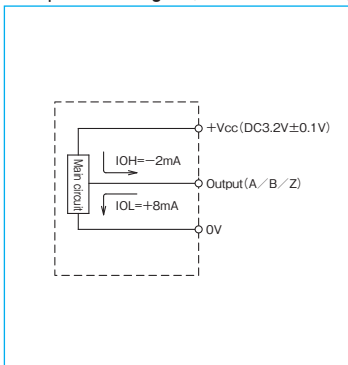
[Square Wave/Incremental]



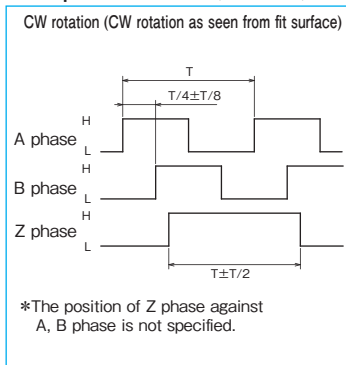
Specifications

Item	Type name	MES-3-64PST16
Supply voltage		DC3.2±0.1V
Current consumption		20mA or less
Detection system		Incremental
Output	Output pulse number (Standard) [Pulse number/rotation]	1024 pulse/rotation (64 pulses/rotation multiplied ×16 electrically)
	Output phase	A, B, Z phase
	Output form	Square wave, Voltage (C-MOS) output
	Output capacity	CMOS output: Output current IOH=+8mA, IOH=-2mA Output voltage: VOL≤0.3V (when IOL=+1mA) VOH≥Vcc-0.3V (when IOH=-1mA) Output withstand voltage: 3.3V or less (power supply voltage or less)
	Maximum response frequency (response pulse number)	100kHz
	Output phase difference	Phase difference between neighboring A/B phases: T/4 ± T/8 Waveform ratio of 1T: T ± 0.35T Z phase width: 1T (Synchronized with 1T of B phase)
	Waveform rise/fall time	2μs or less (When 150mm flexible cable extended using 300mm AWG30 cable)
	Allowable load of shaft (electrical)	Radial
Thrust		0.98N (100gf)
Maximum allowable revolutions (mechanical)		6,000rpm
Working ambient temperature/humidity		0°C~60°C RH35%~90% no dewing
Storing ambient temperature		-20°C~80°C
Vibration resistance		Durability 55Hz, double amplitude 1.5mm 2 hours each in X, Y, and Z directions
Impact resistance		Durability 500m/s ² (about 50G) 3 times each in X, Y, and Z directions
Cable		Flexible cable: Length approx. 150mm
Mass		5g (including flexible cable)

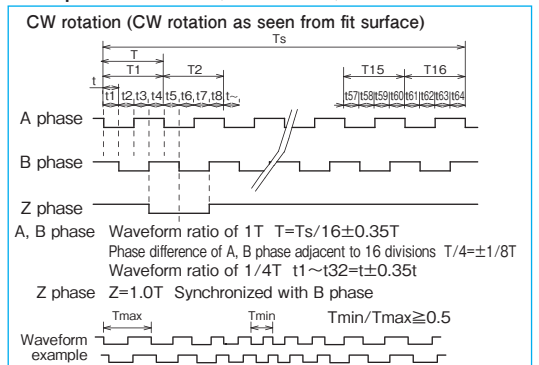
Output circuit diagram (ME-3P, ME-3PST)



Output waveform (ME-3P)

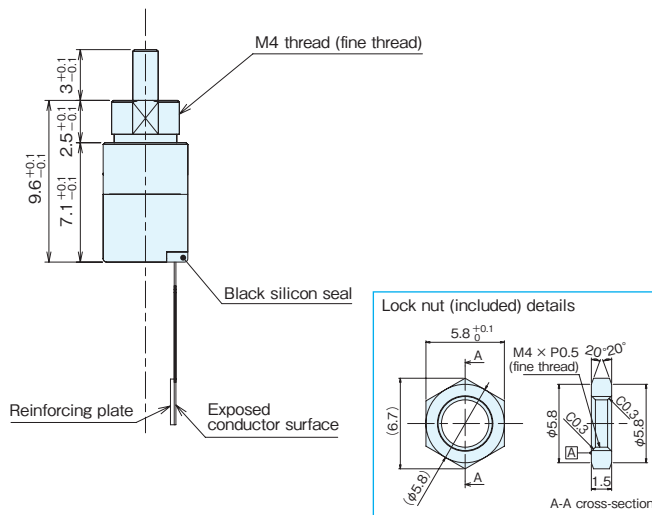
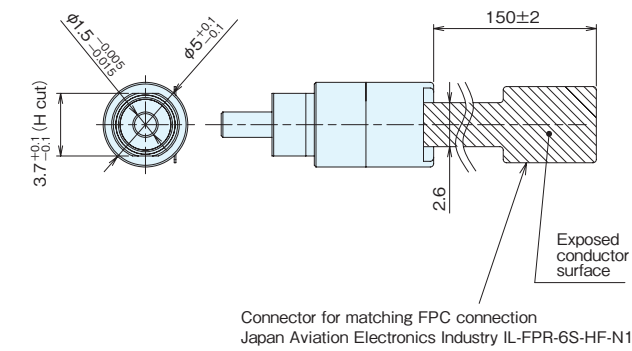


Output waveform (ME-3PST)



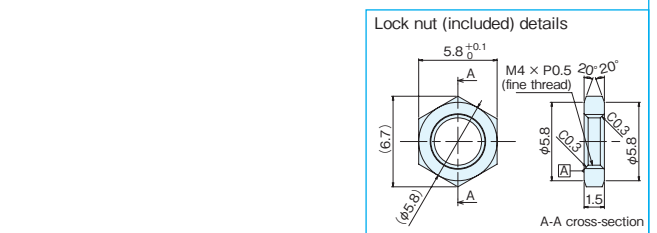
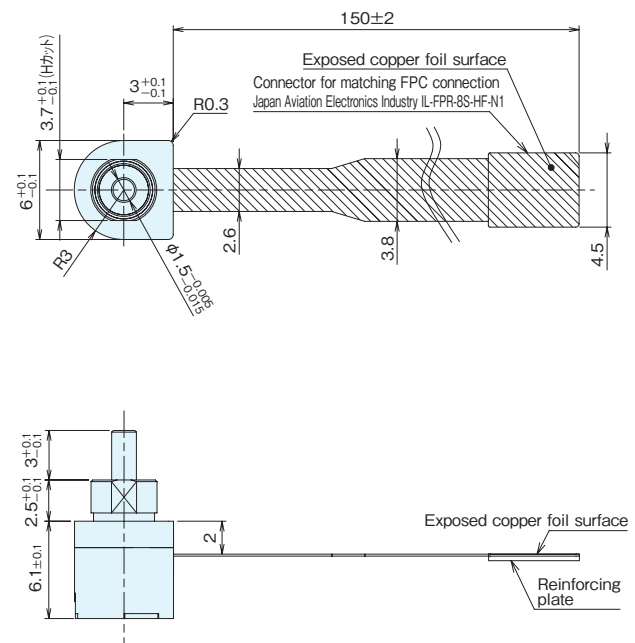
Outside dimensions

MES-3P

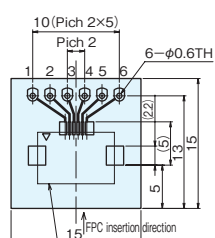


Outside dimensions

MES-3PST



Terminal board (included) details

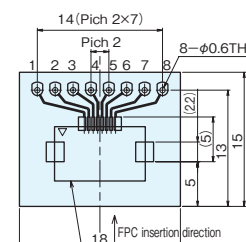


Connector: Japan Aviation Electronics Industry
IL-FPR-6S-HF-N1

Wiring chart

TH No.	Signal name
1	Vcc (DC3.2V±0.1V)
2	Z phase output
3	0V
4	A phase output
5	B phase output
6	0V

Terminal board (included) details



Connector: Japan Aviation Electronics Industry
IL-FPR-8S-HF-N1

Wiring chart

TH No.	Signal name
1	Vcc (DC3.2V±0.1V)
2	N.C. (Not connected)
3	N.C. (Not connected)
4	Vcc (DC3.2V±0.1V)
5	Z phase output
6	B phase output
7	A phase output
8	0V