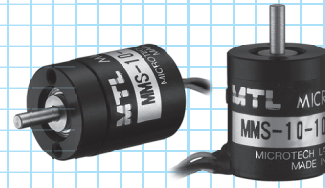


MMS-10 series

[Absolute]

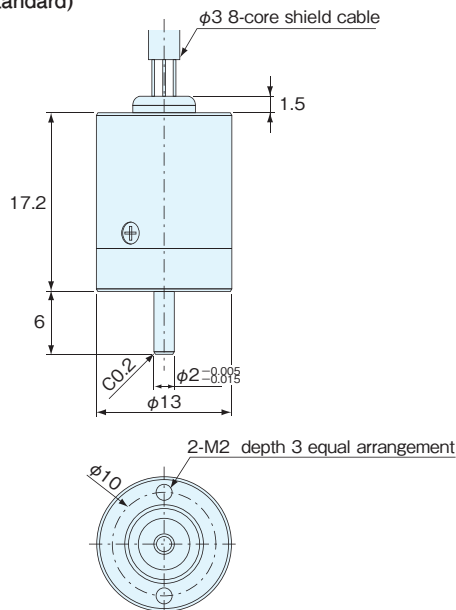
- ▶ Magnetic encoder with external dimensions $\phi 13\text{mm} \times \text{height } 15.5\text{mm}$
- ▶ Resolution 1024, SSI interface

NEW

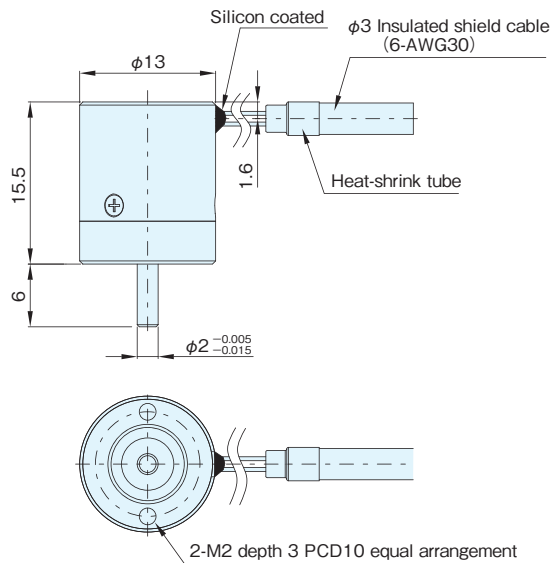


Encoder Outside dimensions

Cable at rear (Standard)



Cable at side (Optional)



Encoder Specifications

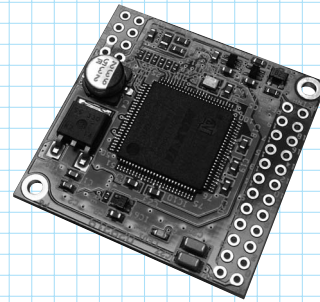
Item	Type name	MMS-10-1024G1
Supply voltage		DC5V $\pm 5\%$
Current consumption		50mA or less (under no load)
Resolution		256, 360, 512, 1024
Allowable revolutions		6000rpm
Allowable load of shaft (electrical)	Radial	1.9N (200gf)
	Thrust	1.9N (200gf)
Working temperature/humidity		$-10^{\circ}\text{C} \sim +70^{\circ}\text{C}$ / RH35%~90%
Storage temperature		$-20^{\circ}\text{C} \sim +100^{\circ}\text{C}$
Vibration resistance		Durability 55Hz, double amplitude 1.5mm 2 hours each in X, Y, and Z directions
Impact resistance		Durability 500m/s ² (about 50G) 3 times each in X, Y, and Z directions
Cable		Outside diameter $\phi 3$ 6-core Insulated shield cable AWG30 (length 1m)
Mass		40g

Connection

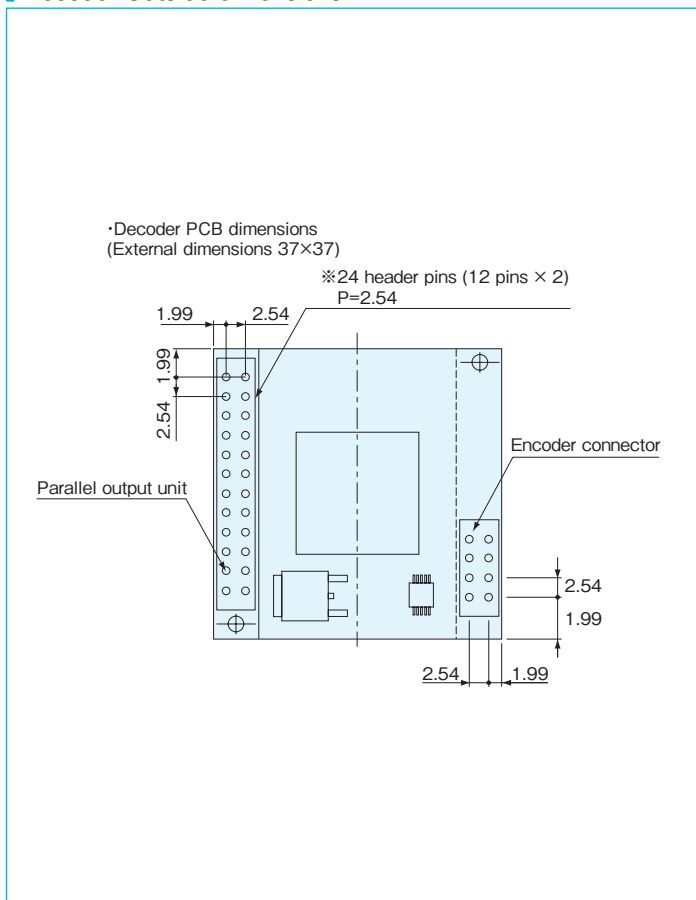
Cable color	Encoder connection
Red	5V $\pm 5\%$
Black	0V (COMMON)
White	DATA
Brown	/DATA
Green	CLOCK
Blue	/CLOCK
Yellow	NC
Orange	NC
	Shield

[Decoder board]

NEW



Decoder Outside dimensions



Encoder specifications (37×37 PCB)

Item	Type name	MMS-DECODER
Supply voltage		DC5V ±5%
Current consumption		60mA or less (110mA or less including encoder)
Parallel data update cycle		60μs (16.7kHz)
Output circuit		NPN open collector output (when using parallel output)
Output capacity		Sink current 20mA max. Load voltage 35Vmax. Residual voltage 0.4V or less
Logic		Negative logic (H=0, L=1)
Connection		Power supply and parallel signal output by P=2.54 header pins (see diagram below)

Connection diagram

Decoder board TH No.

TH No.	Parallel output / Power
1	5V±5%
2	0V (COMMON)
3	Output 2 ⁹
4	Output 2 ⁸
5	Output 2 ⁷
6	Output 2 ⁶
7	Output 2 ⁵
8	Output 2 ⁴
9	Output 2 ³
10	Output 2 ²
11	Output 2 ¹
12	Output 2 ⁰
13~24	NC

I/O circuit diagram

