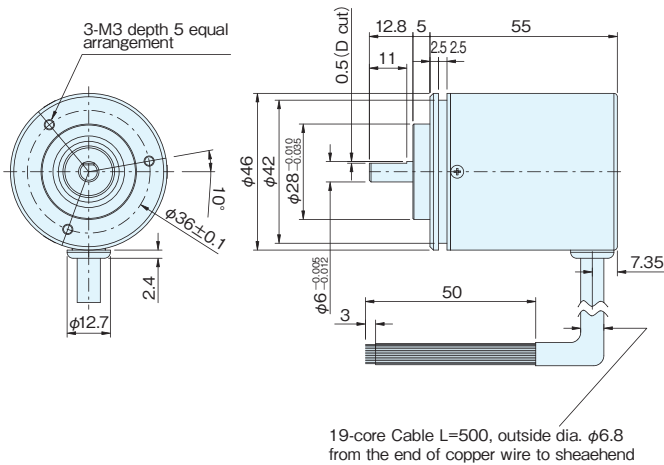


MXS-36-series

[High-resolution Multiple-rotation
(64 rotations max) Absolute Type Encoder]



Outside dimensions



Specifications

Item	Type name	MXS-36-□□□□□△C6-□□
	Number of turns	□□□□□
	One rotation resolution	□□□□□
	Output signal code	△
	Option N: Negative logic	□
	Option V: Increment on reverse rotation (V indicates values increases in CCW direction)	□
Supply voltage	DC5V-5%~24V+15%	
Current consumption	150mA or less (under no load)	
Output code	G: gray code N: pure binary code	
Output circuit	NPN open collector	
Output logic	No mark: positive logic; N: negative logic	
Output pulse number (Standard)	128	1,024
[Pulse number/rotation]	256	512
Rotation number	2·4·8·16·32·64	
Maximum response frequency	40kbit/s (10kbit/s at guaranteed accuracy)	
Shaft allowable load (electrical)	Radial	19.6N (2kgf)
	Thrust	9.8N (1kgf)
Working temperature/humidity	-10°C~70°C/RH95% or less (no dewing)	
Storage temperature	-20°C~80°C	
Vibration resistance	Durability 0-500Hz, double amplitude 1.52mm 2 hours each in X, Y, and Z directions	
Impact resistance	Durability 11msec (about 50G) 3 times each in X, Y, and Z directions	
Mass	170g or less (excluding cable)	

Connection

Cable color	Output signal	Cable color	Output signal
Brown	2 ⁰	Purple	2 ¹⁰
Brown/Black	2 ¹	Purple/Black	2 ¹¹
Orange	2 ²	Gray	2 ¹²
Orange/Black	2 ³	Gray/Black	2 ¹³
Yellow	2 ⁴	White	2 ¹⁴
Yellow/Black	2 ⁵	White/Black	2 ¹⁵
Green	2 ⁶	Red	Vcc
Green/Black	2 ⁷	Black	COMMON
Blue	2 ⁸	Shield (*)	Cable shield
Blue/Black	2 ⁹	—	—

(*) shielding cable is non-connected in encoder.