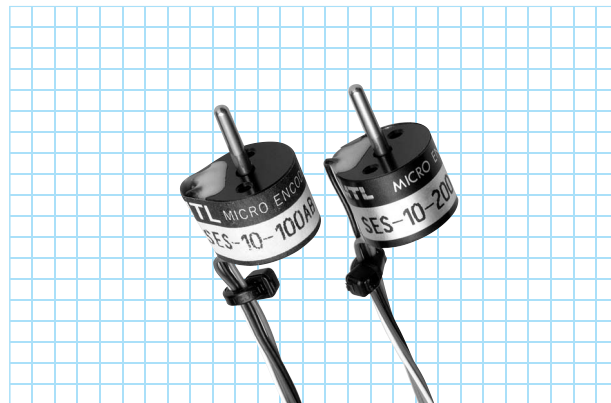
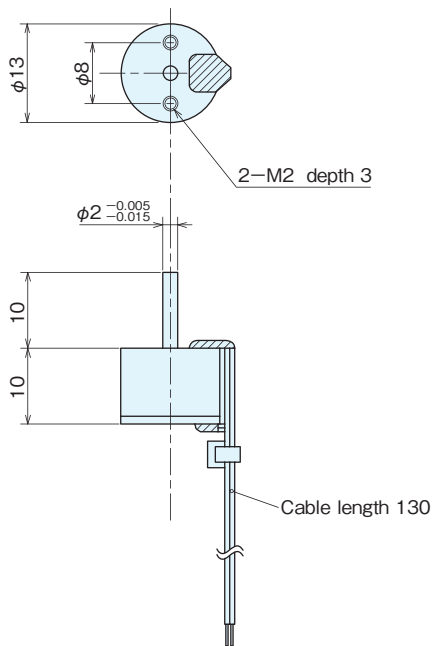


SES-10 series

[Approximate Sine Wave/Incremental]



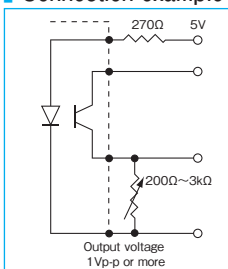
Outside dimensions



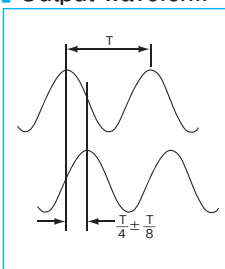
Specifications

Type name		SES-10- <input type="text"/> - <input type="text"/>	
		Pulse number Output phase ●A =single phase ●AB=two-phase	
Item			
Supply voltage		DC5V ±10%	
Current consumption		30mA(LED: maximum 20mA)	
Detection system		Incremental	
Output	Output pulse number (Standard)	100	
	[Pulse number/rotation]	200	
	Output phase	A phase, A, B phase	
	Output form	Approximate sine wave	
	Output capacity	—	
	Maximum response frequency (response pulse number)	20kHz	
	Output phase difference	A, B phase difference 90°±45°	
	Waveform rise/fall time	—	
	Allowable load of shaft (electrical)	Radial	1.9N(200gf)
		Thrust	1.9N(200gf)
Maximum allowable revolutions (mechanical)		6,000r/min	
Working ambient temperature/humidity		0°C~50°C	
Storing ambient temperature		-20°C~80°C	
Vibration resistance		Durability 55Hz, double amplitude 1.5mm 2 hours each in X, Y, and Z directions	
Impact resistance		Durability 500m/s ² (about 50G) 3 times each in X, Y, and Z directions	
Cable		Vinyl wire(AWG30)130mm	
Mass		10g(excluding cable)	

Connection example



Output waveform



Output circuit diagram

